

SHORT HISTORICAL NOTES XXX

Anton Gajdoš, Bratislava, Slovakia

Ivan Čuk, Ljubljana, Slovenia

Ph.D. Anton Gajdoš born on 1.6.1940 in Dubriniči (today Ukraine) lives most of his life in Bratislava (ex TCH, nowadays SVK). He comes from gymnastics family (his brother Pavel have world championship medals) and he devoted his life to gymnastics. His last achievement is establishment of Narodna encyklopedia športu Slovenska (www.sportency.sk). Among his passion is collecting photos and signatures of gymnasts. As we tend to forget old champions and important gymnasts, judges and coaches, we decided to publish part of his archive under title Short historical notes. All information on these pages is from Anton's archives and collected through years.



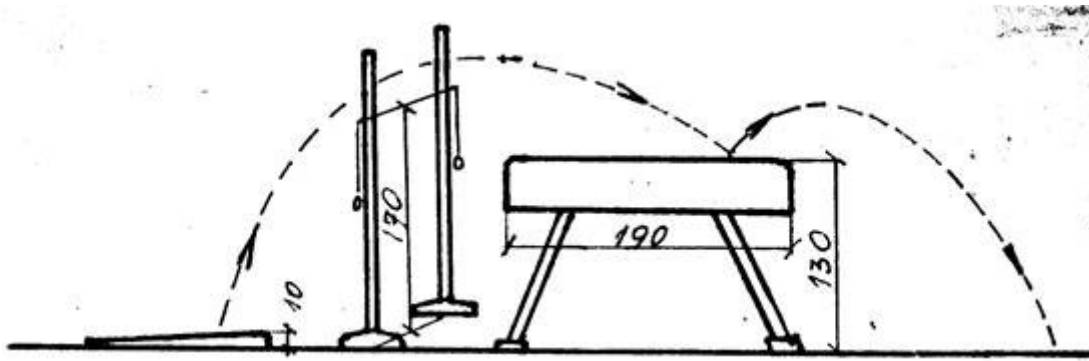
8th Olympic Games in Paris

Artistic Gymnastics competition was for men only. Nine countries participated: USA, Finland, United Kingdom, Italy, Switzerland, Czechoslovakia, France, Luxemburg and Kingdom of Yugoslavia with 72 gymnasts.

On the first day gymnasts competed on horizontal bar, parallel bars, side horse vault and on second day on rings, pommel horse, long horse vault and rope climbing. On vault and rope climbing only one attempt was allowed, on other apparatus compulsory and optional exercises were required.

On **vault and rope climbing** maximum score was **10 points** and on **other apparatus** was **11 points** (10 for exercise presentation and 1 point for approaching and leaving apparatus). **Rope climbing** had following scoring:

Time	Score
Less than 9.00 s	10
9.20	9
9.40	8
9.60	7
9.80	6
10.20	5
10.60	4
11.00	3
11.60	2
11.80	1
12.00	0



Long horse vault had special rules. In front of horse it was placed a stick at certain height and according to the height, maximum score was defined: 170 cm for 10 points, and then for each 5 cm less one point less. Gymnasts had to perform split jump. (Picture from: Vazzaz J., Gregorka B.: *Razvoj telovadnega orodja na Slovenskem* (1984), Begunje: Elan (1984))

Quite **many gymnasts** performed so well, they **scored maximum score - perfect 10 or perfect 11.**

With perfect 11 were evaluated on apparatus for compulsory or optional exercise:

On parallel bars for optional exercise **Giorgio Zampori**, Italy

On rings for optional exercise **Leon Štukelj**, Slovenia (Yugoslavia)

With perfect 10 were evaluated:

On side horse vault **Albert Seguin**, France

On rope climbing 22 gymnasts scored 10 point,, the fastest was

Karel Šupčík from Czechoslovakia with result of **7.20s**

Other gymnasts with 10 points were: Vacha, Pražak, Morkovsky (Czechoslovakia), Seguin, Delsarte, Gounot, Hermann (France), Guttinger, Grieder (Switzerland), Žilič, Štukelj, Porenta (Yugoslavia), Križ, Pearson, Safanada, Wanderer (USA) and Cambiaso, Lertora, Lucchetti, Mandrini, Martino (Italy).

Results

Teams: 1. Italy, 2. France, 3. Switzerland

All around: 1. Štukelj (SLO, YUG), 2. Pražak (TCH), 3. Šupčík (TCH)

Horizontal bar: 1. Štukelj (SLO, YUG), 2. Gutweniger (SUI), 3. Higelin (FRA)

Parallel bars: 1. Guttinger (SUI), 2. Pražak (TCH), 3. Zampori (ITA)

Rings: 1. Martino (ITA), 2. Pražak (TCH), 3. Vacha (TCH)

Pommel horse: 1. Wilhelm (SUI), 2. Pražak (TCH), 3. Vacha (TCH)

Long horse vault: 1. Križ (USA), 2. Koutny (TCH), 3. Morkovsky (TCH)

Side horse vault: 1. Seguin (FRA), 2. Counot (FRA), 3. Gangloff (FRA)

Rope climbing: 1. Šupčík (TCH), 2. Seguin (FRA), 3. Vacha (TCH)

As a surprise Leon Štukelj (Slovenia/Yugoslavia) won all around. His performance specially on long horse vault was decisive as Leon Štukelj was only 1.60 meter tall. He jumped for 10 points vault and rised his body center of gravity over 2 meters, what mean he had extreme athletic abilities.



Leon Štukelj